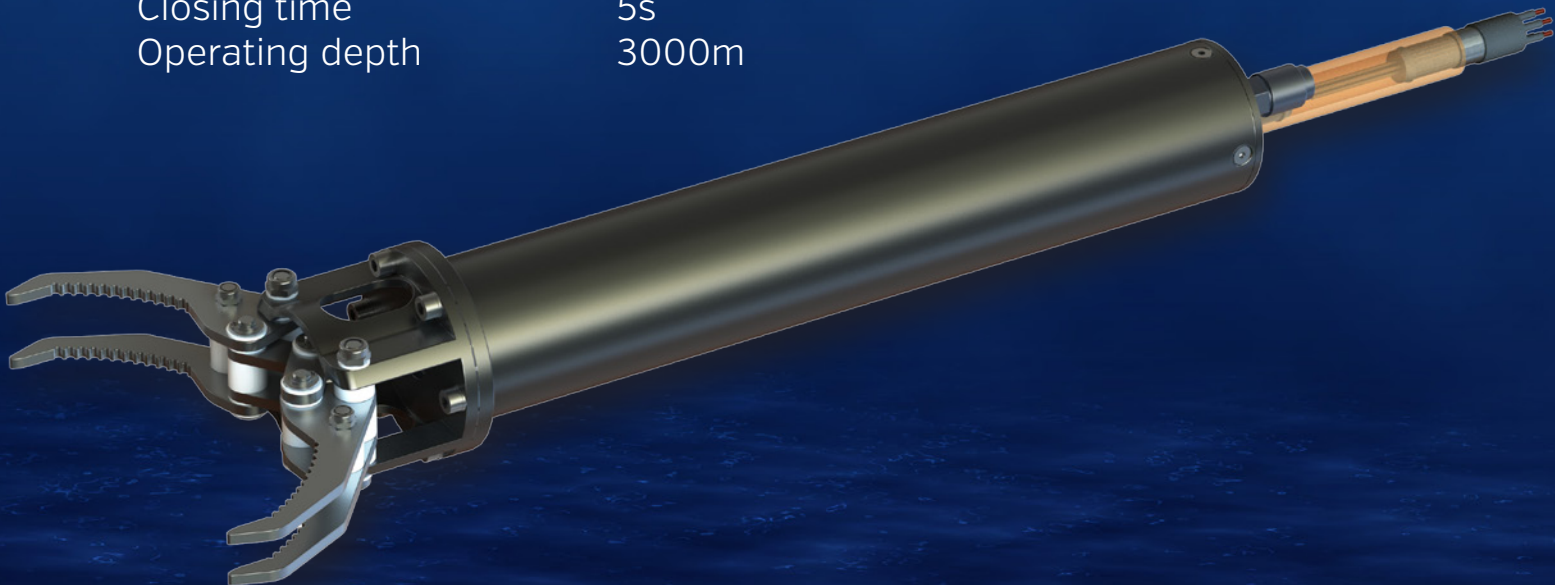


# Argus mini manipulator

The new Argus Mini Manipulator is a lightweight and compact DC manipulator with brushless motor and internal controls. The manipulator is pressure compensated for greater working depths. All exterior components are hard anodized for maximum durability in rough conditions.

## Technical data

Weight in air	3,0 kg
Weight in water	2,3 kg
Size	L450 mm x Ø78 mm
Cable length	2m standard
Controller	Internal
Max grip	L160 mm
Power	24 W
Electric data	24 V / 1 A
Connector	SubConn MCPBOF5M
Max load	100 N / 10 kgf
Closing time	5s
Operating depth	3000m



## The grabber can be controlled by two different methods.

### Simple

The gripper is controlled by switching the +24V to two different pins. The internal current controller stops the motion and applies a holding force when the claws encounter resistance.

### Advanced

The grabber is controlled by RS232 for greater adjustability of speed and gripping force.

