

1 2 3 4 5 6 7 8

A

B

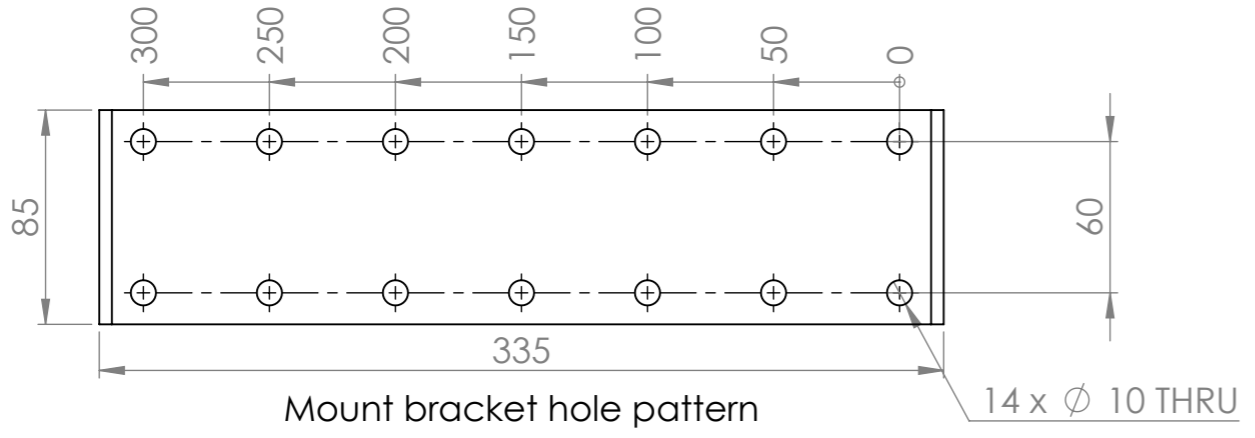
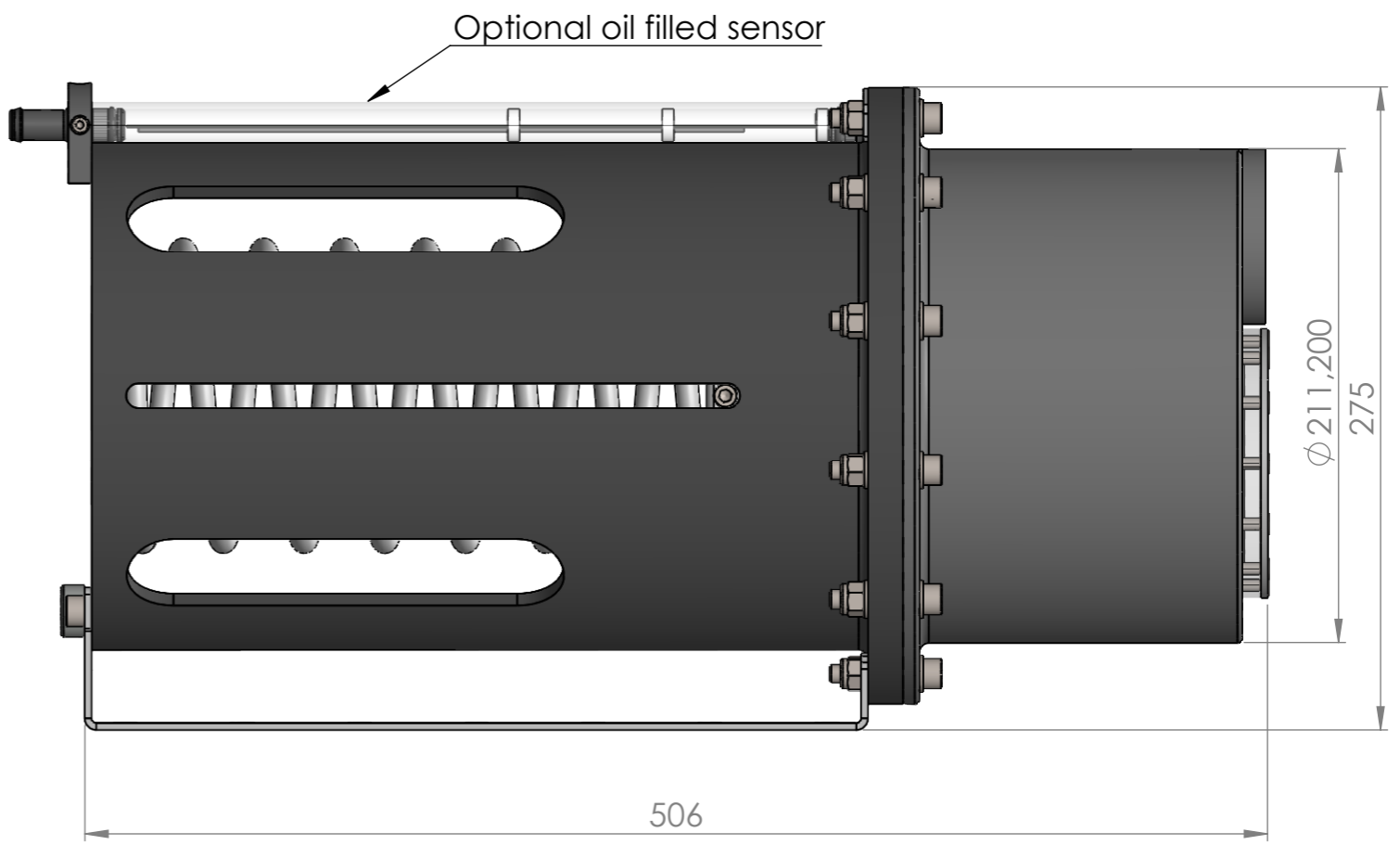
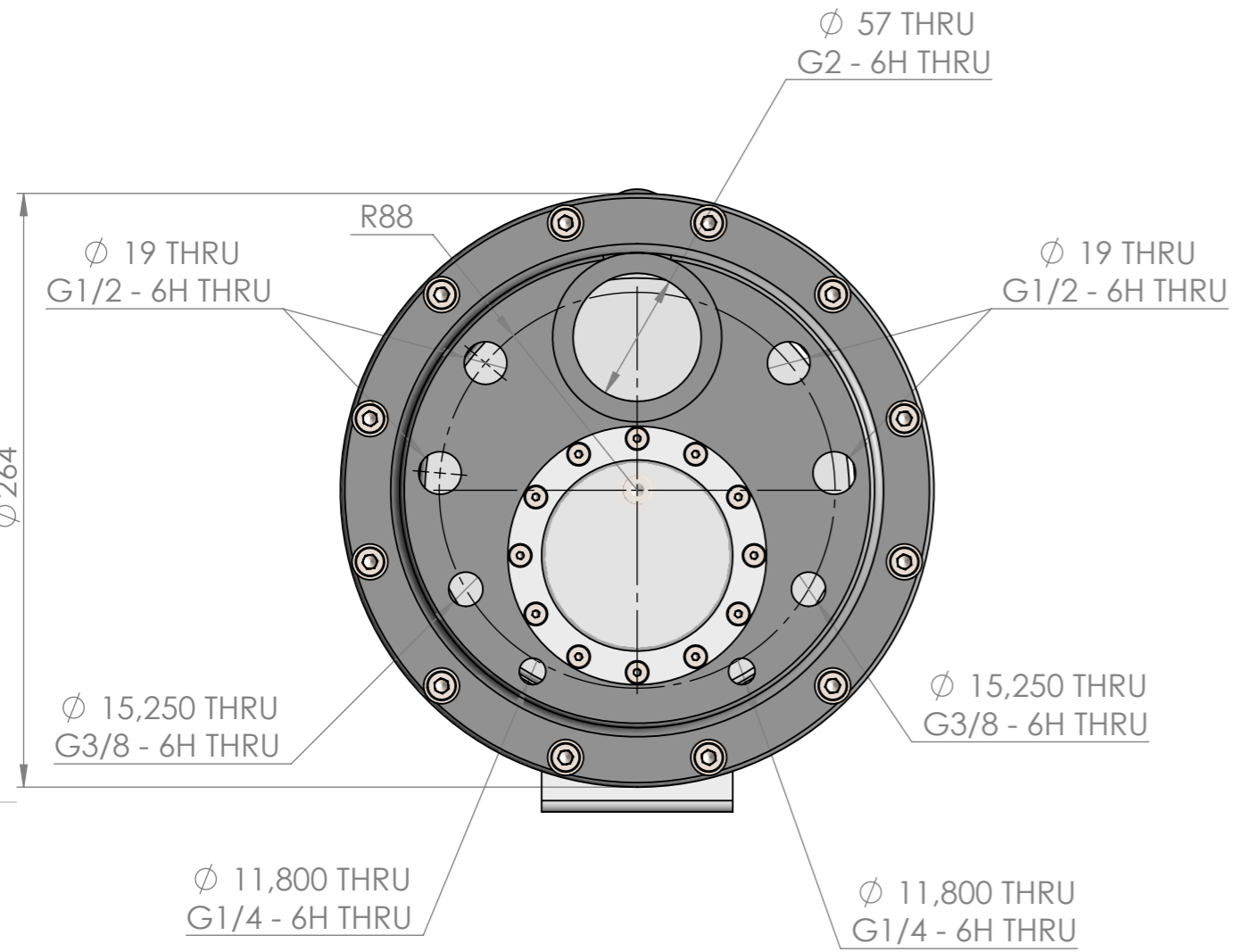
C

D

E

F

1 2 3 4 5 6 7 8



<i>This drawing may not be copied, altered or made available to others without written permission.</i>					Customer <b>Argus RS</b>	
Date 21.10.2015	Drawn by MRM	Checked by	Approved by	Inventas project no. 15-205	©2016	
Tolerance	Weight 11.69	Material NA	3D model file name: 15-205_6000_A01_Compensator_ASM		DWG no. <b>15-205_7000_A01</b>	
<b>Subsea Compensator 7L_Compensator_ASM</b>					Configuration Empty	
3D modelling INVENTAS AS	Proj. 	Scale 1:3	Format A3	Sheet 3 / 3	Revision A	