

Mini Thruster Datasheet

Argus 800W mini thruster

Model: ARS_THR_800



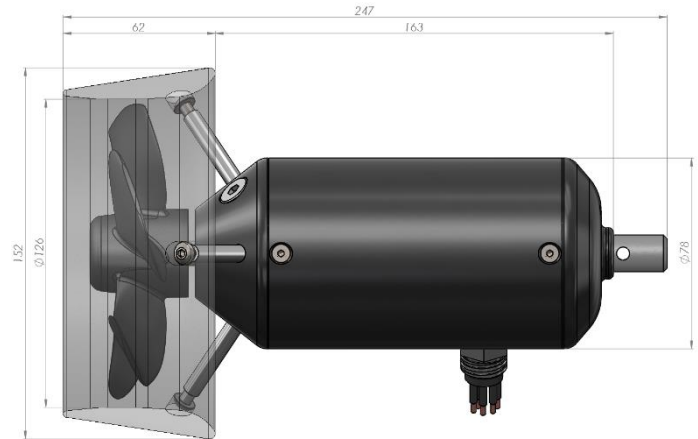
The Argus ARS_THR_800 Mini-Thruster is a powerful, lightweight and compact DC thruster with brushless motor and external controls. The thruster is oil filled and pressure compensated for maximum operating depth. The casing is made of durable hard-anodized 6082-T6 aluminium to ensure a long service life. The mini thruster controller is compact, and each controller can run 3 mini thrusters

Revision: A
Export date: 11.11.2016

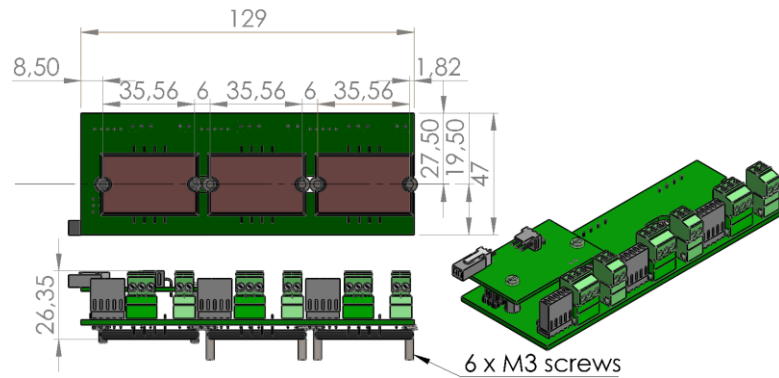
Key parameters

The standard connector is a male 8-pin SubConn Micro Circular, MCBH8MSS. Custom connector solutions are possible.

Weight in air [kg]	2,2
Weight in water [kg]	1,4
Size, L x d x D [mm]	248 x 78 x 152
Power consumption, max [W]	800
Operating voltage	120 V DC
Supply current	7 A
Control signal	RS232
Rotational speed [rpm]	2000
Thrust, fwd [N]	120
Thrust, rev [N]	85
Depth rating [m]	6000



The Argus mini motor controller is developed in-house and assembled in Norway. It can be used with 3 thrusters simultaneously. The motor controller is mounted in customers electronics bottle. It can be controlled by RS232 and RS485. Feedback includes motor current, speed, and control board temperature.



Performance data

Voltage [V]	Current [A]	Power [W]	Thrust [N]	Thrust rev. [N]
40	1,2	46	22,5	21,0
60	2,1	126	42,5	40,0
80	3,3	264	70,0	65,0
100	5,5	550	97,5	87,5
110	6,0	660	112,5	95,0
120	6,5	780	117,5	100

The performance data have been collected while testing the thruster stationary in Argus Remote Systems test tank. Slight variations may occur.

